



## Ausrack Plus Frame

19" Frames for Data Centre Applications

### Index

[Dimension Sheet](#)

[Catalogue Information](#)

[Leaflet](#)

### Web Links

[Ausrack Plus Frame Information Page](#)

[Ask a question / Send us an enquiry](#)

[Information about B&R](#)

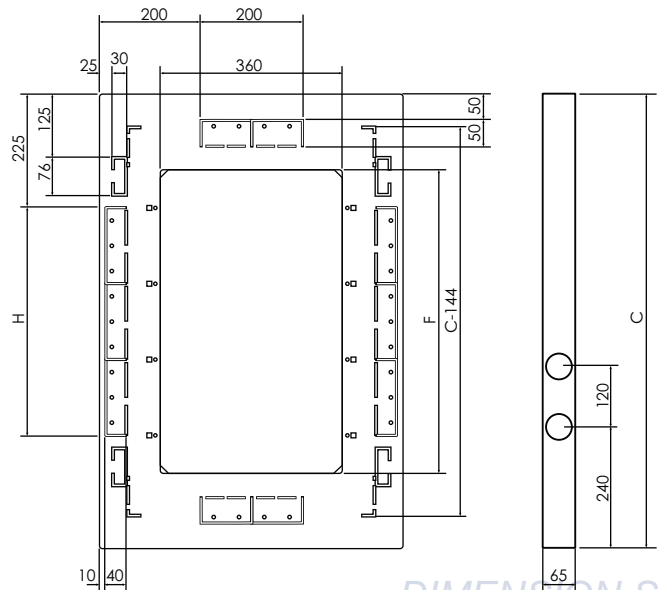
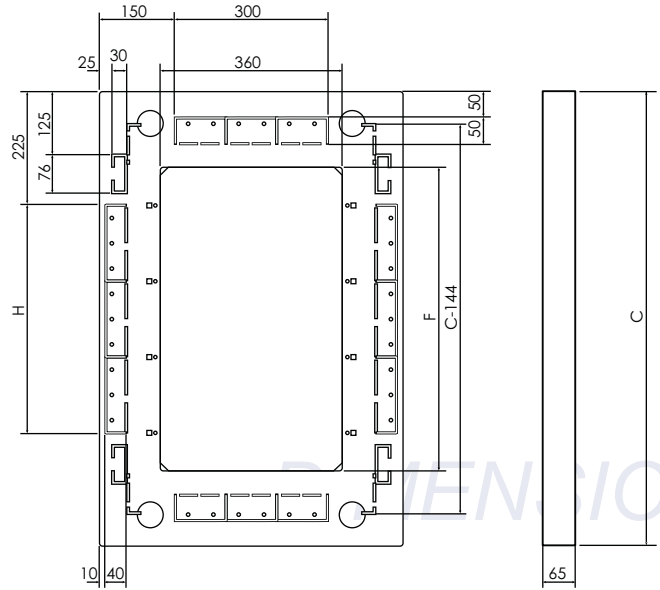
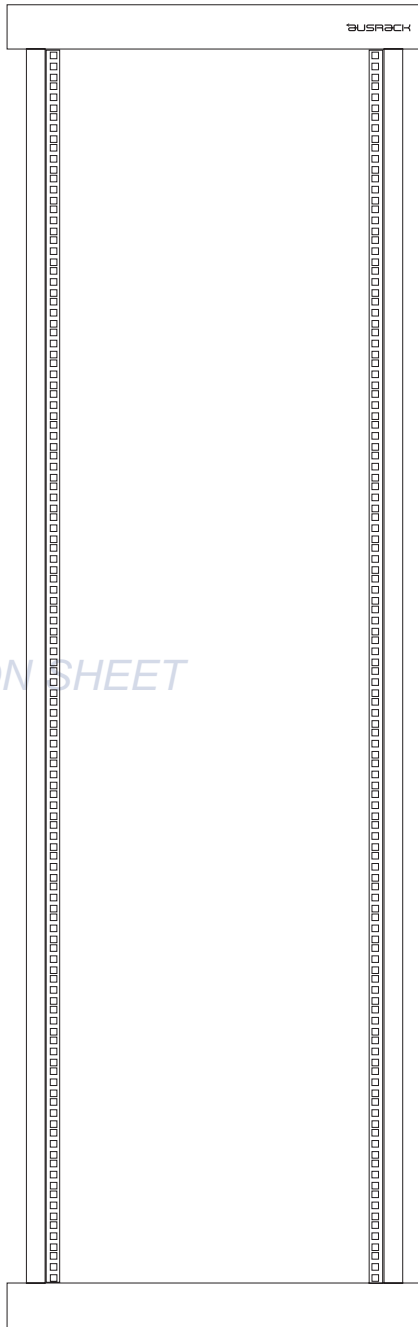
[Local Sales Team Phone Numbers](#)



DIMENSION SHEET

# AUSRACK PLUS FRAME

600 WIDE



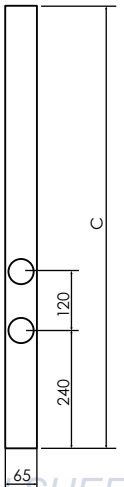
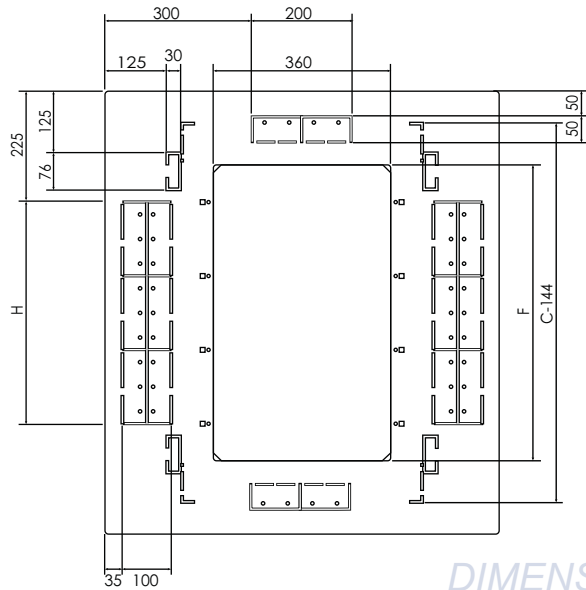
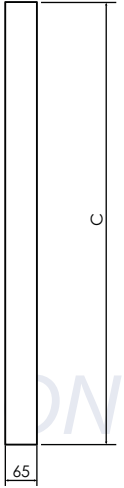
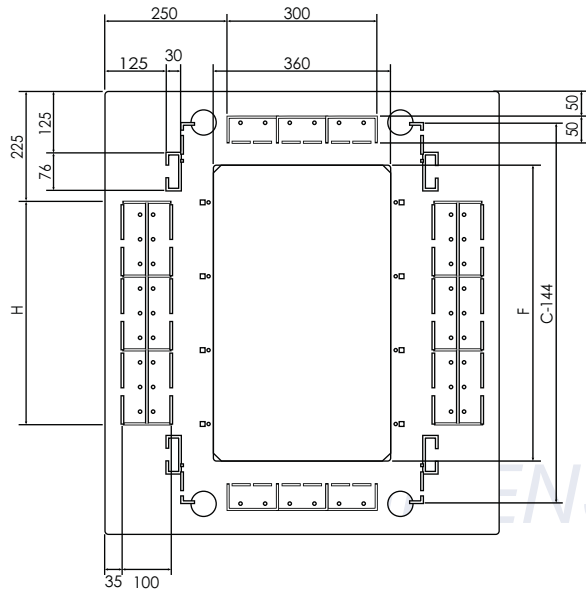
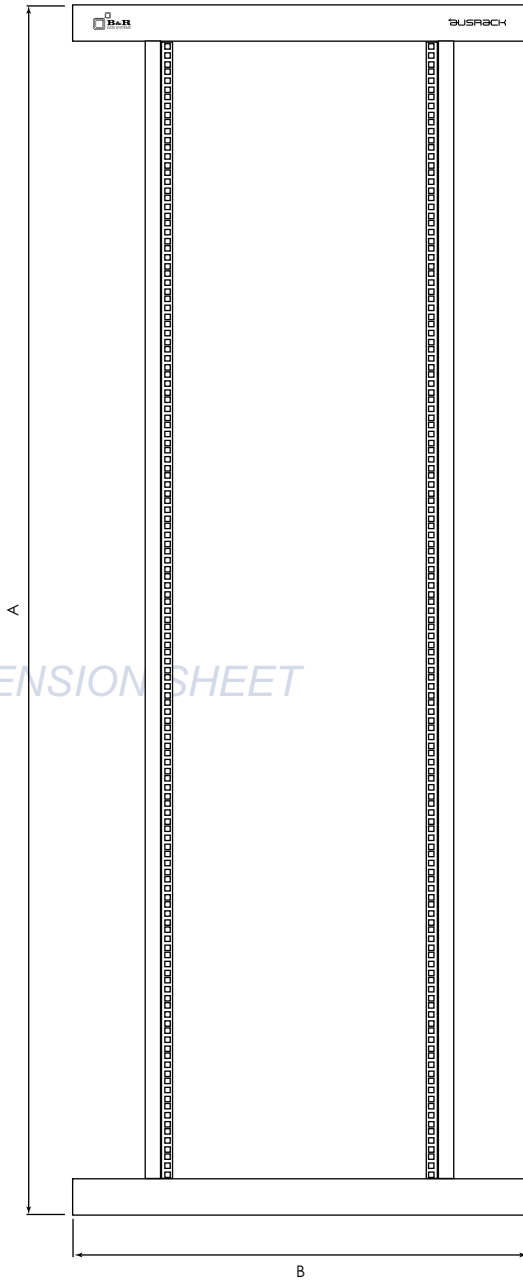
Catalogue Number	Height	Width	Depth	Dimension	
	A	B	C	F	H
AF24U606	1202	600	600	300	100
AF240609	1202	600	900	600	450
AF24U611	1202	600	1100	750	650
AF40U606	1913	600	600	300	100
AF40U609	1913	600	900	600	450
AF40U611	1913	600	1100	750	650
AF45U606	2135	600	600	300	100
AF45U609	2135	600	900	600	450
AF45U611	2135	600	1100	750	650



DIMENSION SHEET

# AUSRACK PLUS FRAME

800 WIDE



Catalogue Number	Height	Width	Depth	Dimension	
	A	B	C	F	H
AF40U809	1913	800	900	600	450
AF40U811	1913	800	1100	750	650
AF45U809	2135	800	900	600	450
AF45U811	2135	800	1100	750	650



# Ausrack Plus Frame

## 19" Frames for Data Centre Applications



### Ausrack Plus Frame Features

- Robust welded design, with a static load rating of 1400 kg and a seismic rating of 900 kg
- Depth adjustable RU marked rails
- Specifications
  - EIA 310-D, IEC 60297
  - SSI specification
- Materials
  - Body - zinc coated steel
  - Frame thickness - 1.6 mm
  - Rail thickness - 2.0 mm
- Surface finish - powdercoat textured matt black

brenclosures.com.au/af.htm

19" frame that can be configured into suites and clad as per the application requirements. Designed with a high

load rating and inset posts it combines versatility and strength with easy to use features.

### Inclusions

The Ausrack Plus Frame includes four RU marked mounting rails, flat top cover (24RU racks only), gland plates (40 & 45 RU racks only).

### Ausrack Plus Selection Guide

Catalogue No	Height (RU)	Dimensions (mm)		
		Height	Width	Depth
AF24U606*	24	1202	600	600
AF24U609*	24	1202	600	900
AF24U611*	24	1202	600	1100
AF40U606#	40	1913	600	600
AF40U609#	40	1913	600	900
AF40U611#	40	1913	600	1100
AF45U606#	45	2135	600	600
AF45U609#	45	2135	600	900
AF45U611#	45	2135	600	1100
AF40U809#	40	1913	800	900
AF40U811#	40	1913	800	1100
AF45U809#	45	2135	800	900
AF45U811#	45	2135	800	1100

\* 24RU frames are supplied with ARTF flat top cover

# 40 & 45RU frames are supplied with gland plates fitted into the roof

## Ausrack Plus Frame Accessories

Product	Catalogue No	AF24U606	AF40U606	AF45U606	AF24U609	AF40U609	AF45U609	AF40U809	AF45U809	AF24U611	AF40U611	AF45U611	AF40U811	AF45U811
Stabiliser kit	ARPSSK	•	•	•	•	•	•	•	•	•	•	•	•	•
	ARDM24U06	•			•					•				
	ARDM40U06		•			•					•			
Door - mesh	ARDM45U06			•			•					•		
	ARDM40U08							•					•	
	ARDM45U08								•					•
Door - mesh, split	ARDD24U06	•			•					•				
	ARDD40U06		•			•					•			
	ARDD45U06			•			•					•		
	ARDD40U08							•					•	
Door - acrylic window	ARDD45U08								•					•
	ARDA24U06	•			•					•				
	ARDA40U06		•			•					•			
	ARDA45U06			•			•					•		
Door - acrylic, vented	ARDA40U08							•					•	
	ARAV24U06	•			•					•				
	ARAV40U06		•			•					•			
	ARAV45U06			•			•					•		
Door - steel	ARAV40U08							•					•	
	ARAV45U08								•					•
	ARDS24U06	•			•					•				
	ARDS40U06		•			•					•			
Side panel	ARDS45U06			•			•					•		
	ARDS40U08							•					•	
	ARDS45U08								•					•
	ARP24U06	•												
	ARP40U06		•											
Side panel	ARP45U06			•										
	ARP24U09				•									
	ARP40U09					•		•						
	ARP45U09						•		•					
	ARP24U11									•				
	ARP40U11										•		•	
	ARP45U11											•		•

Introduction

General Purpose

Special Purpose

Multiple Application

Datacoms

Ancillary Items

Enclosure Selection



# Aurack Plus Frame

## 19" Frames for Data Centre Applications

### Aurack Plus Frame Accessories

Product	Description	Catalogue No	AF24U606	AF40U606	AF45U606	AF24U609	AF40U609	AF45U609	AF40U809	AF45U809	AF24U611	AF40U611	AF45U611	AF40U811	AF45U811
Cladding - top cover, flat		ARTF606	•	•	•										
		ARTF609				•	•	•							
		ARTF809							•	•					
		ARTF611									•	•	•		
		ARTF811												•	•
Cladding - top cover, raised	50 mm high	ARTR606	•	•	•										
	50 mm high	ARTR609				•	•	•							
	50 mm high	ARTR809							•	•					
	50 mm high	ARTR611									•	•	•		
	50 mm high	ARTR811												•	•
Base in-fill gland plate		ARBG06	•	•	•										
		ARBG09				•	•	•	•	•					
		ARBG11									•	•	•	•	•
Mounting rail pair	12RU	ARMR12U	•	•	•	•	•	•	•	•	•	•	•	•	•
	24RU	ARMR24U	•	•	•	•	•	•	•	•	•	•	•	•	•
	40RU	ARMR40U		•	•		•	•	•	•		•	•	•	•
	45RU	ARMR45U			•			•		•			•		•
Mounting rail horizontal support arms		ARMS06	•	•	•										
		ARMS09				•	•	•	•	•					
		ARMS11									•	•	•	•	•
Baying kit	pack of 4	ARPBK	•	•	•	•	•	•	•	•	•	•	•	•	•
Roller kit	320 kg	ARPRK	•	•	•	•	•	•	•	•	•	•	•	•	•
Foot kit, adjustable		ARPFK	•	•	•	•	•	•	•	•	•	•	•	•	•
Side panel lock kit	key code 92268	ARSPL	•	•	•	•	•	•	•	•	•	•	•	•	•
Side panel internal latch kit		ARSPIL	•	•	•	•	•	•	•	•	•	•	•	•	•

## Ausrack Plus Frame Accessories

Product	Description	Catalogue No	Optional blanking panel	AF24U606	AF40U606	AF45U606	AF24U609	AF40U609	AF45U609	AF40U809	AF45U809	AF24U611	AF40U611	AF45U611	AF40U811	AF45U811	
Cable zone	100 mm wide	AC40U06	ARPBP40U100		*												
		AC45U06	ARPBP45U100			*											
		AC40U09	ARPBP40U100					*		*							
		AC45U09	ARPBP45U100						*		*						
		AC40U11	ARPBP40U100											*		*	
		AC45U11	ARPBP45U100												*		*
	200 mm wide	AC40U206	ARPBP40U200		*												
		AC45U206	ARPBP45U200			*											
		AC40U209	ARPBP40U200						*		*						
		AC45U209	ARPBP45U200							*		*					
		AC40U211	ARPBP40U200											*		*	
		AC45U211	ARPBP45U200												*	*	
Cable zone - Siemon	6 inch	AC45U09VPC12							*		*						
		AC45U11VPC12												*		*	
	12 inch	AC45U09VPC6							*		*						
		AC45U11VPC6													*		*
Cable zone baying bracket - Siemon	to cable zone	ACBCZ06							*					*			
	to cable zone	ACBCZ08									*					*	
	600W to VPC	ACBVPC06							*					*			
	800W to VPC	ACBVPC08									*				*		
Cable zone side panel - Siemon	900 deep	ACSSP45U09							*		*						
	1100 deep	ACSSP45U11												*		*	
Vertical brush	40RU	ARPBS40U06		*				*					*				
	40RU	ARPBS40U08								*					*		
	45RU	ARPBS45U06			*				*				*				
	45RU	ARPBS45U08								*					*		
Cable tray	24RU, 150 mm wide	ARC24U15		*	*	*	*	*	*	*	*	*	*	*	*	*	
	40RU, 150 mm wide	ARC40U15		*	*	*		*	*	*	*	*	*	*	*	*	
	45RU, 150 mm wide	ARC45U15			*				*		*			*		*	
	24RU, 300 mm wide	ARC24U30				*	*	*	*	*	*	*	*	*	*	*	
	40RU, 300 mm wide	ARC40U30					*	*	*	*	*	*	*	*	*	*	
	45RU, 300 mm wide	ARC45U30						*	*	*	*			*	*	*	
Horizontal cable management	1RU	ARPCMH1U		*	*	*	*	*	*	*	*	*	*	*	*	*	
Patch bracket		ARPCMB		*	*	*	*	*	*	*	*	*	*	*	*	*	
Chimney	600 mm high	ARCH		*	*	*	*	*	*	*	*	*	*	*	*	*	
Cable management rings*	155 mm deep, single zone	ARPCMR2S			*	*		*	*	*	*		*	*	*	*	
	300 mm deep, single zone	ARPCMR3S			*	*		*	*	*	*		*	*	*	*	
	300 mm deep, two zone	ARPCMR3D			*	*		*	*	*	*		*	*	*	*	

\* Requires cable zone in the 600 mm wide racks



# Aurack Plus Frame

## 19" Frames for Data Centre Applications

### Aurack Plus Frame Accessories

Product	Description	Catalogue No	AF24U606	AF40U606	AF45U606	AF24U609	AF40U609	AF45U609	AF40U809	AF45U809	AF24U611	AF40U611	AF45U611	AF40U811	AF45U811	
Shelves - fixed	100 kg load rating	ARFH450	•	•	•											
		ARFH750				•	•	•	•	•						
		ARFH950										•	•	•	•	•
	50 kg load rating	ARFL450	•	•	•											
		ARFL750				•	•	•	•	•						
		ARFL950										•	•	•	•	•
Shelves - cantilever, 2RU	10 kg, 210 mm deep	ARC210	•	•	•	•	•	•	•	•	•	•	•	•	•	
	10 kg, 360 mm deep	ARC360	•	•	•	•	•	•	•	•	•	•	•	•	•	
Shelves - telescopic, full extension	20 kg load rating	ARTF450	•	•	•											
		ARTF750				•	•	•	•	•						
		ARTF950										•	•	•	•	•
Shelves - telescopic, half extension	40 kg load rating	ARTH450	•	•	•											
		ARTH750				•	•	•	•	•						
		ARTH950										•	•	•	•	•
Keyboard Pivot Accessory	requires ARTH shelf above	ARKBC	•	•	•	•	•	•	•	•	•	•	•	•	•	
Power rails - horizontal (10A outlets only)	5 outlets, 10A plug	ARPH5W10	•	•	•	•	•	•	•	•	•	•	•	•	•	
	5 outlets, 15A plug	ARPH5W15	•	•	•	•	•	•	•	•	•	•	•	•	•	
	10 outlets, 10A plug	ARPH10W10	•	•	•	•	•	•	•	•	•	•	•	•	•	
	10 outlets, 15A plug	ARPH10W15	•	•	•	•	•	•	•	•	•	•	•	•	•	
Power rails - vertical (10A outlets only)	5 outlets, 10A plug	ARPV5W10	•	•	•	•	•	•	•	•	•	•	•	•	•	
	5 outlets, 15A plug	ARPV5W15	•	•	•	•	•	•	•	•	•	•	•	•	•	
	10 outlets, 10A plug	ARPV10W10	•	•	•	•	•	•	•	•	•	•	•	•	•	
	10 outlets, 15A plug	ARPV10W15	•	•	•	•	•	•	•	•	•	•	•	•	•	
	20 outlets, 10A plug	ARPV20W10		•	•		•	•	•	•		•	•	•	•	
	20 outlets, 15A plug	ARPV20W15		•	•		•	•	•	•		•	•	•	•	
	IEC - C13, 10 outlets, 10A plug	ARPV10WI10	•	•	•	•	•	•	•	•	•	•	•	•	•	
	IEC - C13, 10 outlets, 15A plug	ARPV10WI15	•	•	•	•	•	•	•	•	•	•	•	•	•	
	IEC - C13, 10 outlets, 20A plug	ARPV10WI20	•	•	•	•	•	•	•	•	•	•	•	•	•	
	Power distribution system	2 x 16 outlets, 16A	ARPDS16W16	•	•	•	•	•	•	•	•	•	•	•	•	•
Fan kit	2 unit	ARPAF2	•	•	•	•	•	•	•	•	•	•	•	•	•	
	4 unit	ARPAF4	•	•	•	•	•	•	•	•	•	•	•	•	•	
Thermostat rail		ARTHERM	•	•	•	•	•	•	•	•	•	•	•	•	•	
Blanking panels	1 RU	EBP1U	•	•	•	•	•	•	•	•	•	•	•	•	•	
	2 RU	EBP2U	•	•	•	•	•	•	•	•	•	•	•	•	•	
	3 RU	EBP3U	•	•	•	•	•	•	•	•	•	•	•	•	•	
	4 RU	EBP4U	•	•	•	•	•	•	•	•	•	•	•	•	•	
	5 RU	EBP5U	•	•	•	•	•	•	•	•	•	•	•	•	•	
	6 RU	EBP6U	•	•	•	•	•	•	•	•	•	•	•	•	•	
Air flow director	1 RU high	ARPAFD06		•	•		•	•				•	•			
	1 RU high	ARPAFD08							•	•				•	•	





# AUSRACK PLUS FRAME



DATA &  
COMMUNICATIONS



The Ausrack Plus Frame is a high quality, Australian made 19" racking cabinet. It features inset posts allowing cable access across the front and rear of the rack, and bend back cable entries for easy access into the rack.

Available in 24, 40 and 45RU heights, widths of 600 and 800mm and depths of 600, 900 and 1100 mm the Ausrack Plus Frame range can be configured with a wide variety of cladding to suit the requirements of a particular installation.

The rack rails are suitable for all 19" equipment and comply with both the EIA and SSI specifications required for active equipment. The frame design has been strengthened, suitable for large installations of blade servers and 1RU servers. Tested for strength for a uniformly distributed load (UDL) weight rating of 1400 kg.

Ausrack Plus Frame rails are also marked with RU positions and are fully depth adjustable to make installation of equipment at any depth in the rack easy.

Recent enhancements to the range assist with installation and moving, with options of low profile rollers and retractable feet. Also cabling flexibility has been improved with all horizontal support arms being height adjustable and cable entries in the base aligned for all depths.

A comprehensive range of accessories is also available to help you find a solution to your specific requirements. These include mesh, steel and acrylic widow doors, side panels, top covers and more.

For all data centre applications, try Ausrack Plus Frames from B&R, a high quality Australian manufacturer.

Contact your local B&R office for details  
[www.brenclosures.com.au](http://www.brenclosures.com.au)



## TECHNICAL INFORMATION

The Ausrack Plus Frame includes a frame, four RU marked mounting rails, flat top cover (24RU racks only) and gland plates (40 & 45 RU racks only).

Model	Height (RU)	Dimensions (mm)		
		Height	Width	Depth
AF24U606*	24	1202	600	600
AF24U609*	24	1202	600	900
AF24U611#	24	1202	600	1100
AF40U606#	40	1913	600	600
AF40U609#	40	1913	600	900
AF40U809#	40	1913	800	900
AF40U611#	40	1913	600	1100
AF40U811#	40	1913	800	1100
AF45U606#	45	2135	600	600
AF45U609#	45	2135	600	900
AF45U809#	45	2135	800	900
AF45U611#	45	2135	600	1100
AF45U811#	45	2135	800	1100

\* 24RU cabinets are supplied with ARTF flat top cover

# 40 & 45RU cabinets are supplied with gland plates fitted into the roof.



## SPECIAL FEATURES

The Ausrack Plus Frame has been developed as a result of extensive market research and testing. The standard features we have incorporated as part of the range include:

- Integrated, bayed cabinets with a simple accessory
- Innovative modular cable management facilities
- A frame designed to allow two or more people to work on the installation
- 1400 kg static load rating
- A comprehensive range of genuine B&R accessories

Please refer to the Data & Communications Catalogue for more information on the Ausrack Plus Frame and other B&R products.

## ACCESSORIES GUIDE

RU	Mesh Door (63%)	Acrylic Window Door	Steel Door	Cable Zone	Power Rails	Fixed Shelf	Cantilever Shelf	Telescopic Shelf	Fan Kit	Flat Top Cover	Roller Kit	Baying Kit	Cable Tray	Side Panel Lock Kit	Blanking Plates	Chimney
24	•	•	•	•	•	•	•	•	•	Std	•	•	•	•	•	•
40	•	•	•	•	•	•	•	•	•	•	•	•	•	•	•	•
45	•	•	•	•	•	•	•	•	•	•	•	•	•	•	•	•

## SALES OFFICES

Queensland (Brisbane)  
Ph 07 3714 1000

Queensland (Townsville)  
Ph 07 4775 6255

New South Wales (Sydney)  
Ph 02 9687 0077

New South Wales (Newcastle)  
Ph 02 4961 4433

Victoria (Melbourne)  
Ph 03 8588 8400

South Australia (Adelaide)  
Ph 08 8243 1166

Western Australia (Perth)  
Ph 08 9248 9744

Tasmania (Launceston)  
Ph 03 6331 5545

Northern Territory (Darwin)  
Ph 08 8947 0870