

Catalogue No: 100S-C30T14BC

SAFETY CONTACTOR 15kW 3P 240V AC COIL 1NO 4NC AUXILIARY

Motor Control and Drives > Motor Starting and Protection > Contactors > Allen-Bradley Contactors > Bulletin 100S-C Safety Contactors > 3-Pole Safety Contactors with AC Coil



Representative Photo Only
(actual product may vary based on configuration selections)

Safety Contactor 3 pole 30A 15kW 1N/O 4N/C bifurcated auxiliary 240V AC Coil

- Permanently installed cover to prevent manual operation
- Gold plated, bifurcated auxiliary contacts for high contact reliability
- Red contact housing for easy identification

SPECIFICATIONS

Product Series	100S-C
Component Type Motor Control and Drives	Safety Contactor
Contactors Group	Contactors > 7.5 kW to 22 kW
Ie, Rated Operational Current, AC-1, 415V, 40°C	65 A@415V,40°C
kW Rating, AC-3, 415V, 60°C	15 kW @415V, 60°C
Ie, Rated Operational Current, AC-3, 415V, 60°C	30 A@415V,60°C
Contact Configuration, Main Poles	3 NO main poles
Contact Configuration, Auxiliary	1 NO + 4 NC auxiliary
Main Poles	3 N/O
Coil Type	Conventional type
Coil Voltage	240 V AC V
Integrated Aux	4 N/C +1 N/O
Product Notes	Bifurcated Auxiliary Contacts
IP Rating	IP20

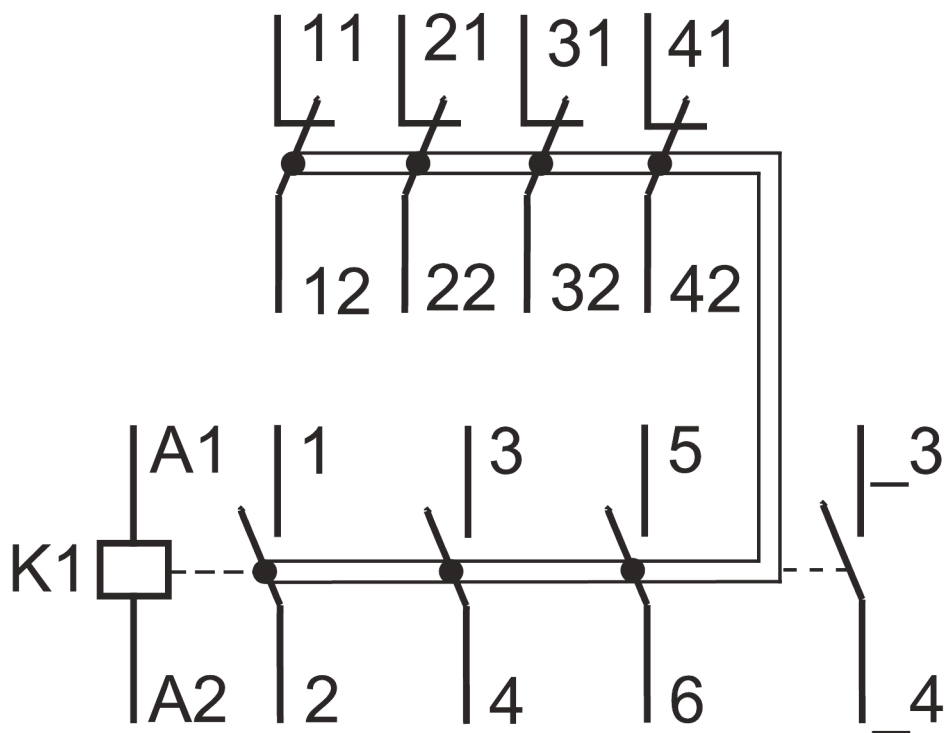
REFERENCES

IECEX Certificate	-
Supplier Declaration of Conformity:	-
Installation Guide:	-
User Manual:	-
Manufacturer Datasheet:	-
Manufacturer Catalogue & Product Selection:	-

Catalogue No: **100S-C30T14BC**

SAFETY CONTACTOR 15kW 3P 240V AC COIL 1NO 4NC AUXILIARY

Motor Control and Drives > Motor Starting and Protection > Contactors > Allen-Bradley Contactors > Bulletin 100S-C Safety Contactors > 3-Pole Safety Contactors with AC Coil



Connection / Wiring Diagram