

800TA7

Allen-Bradley 800T Pushbutton 30.5mm Flush Head Momentary
Non Illuminated No Contacts Blue



Allen-Bradley

by ROCKWELL AUTOMATION

PUSHBUTTON AND PILOT LIGHTS

Component type	Push button, complete
Range	800T/H Pushbutton
Model	N/A
Product status	Existing



The Allen-Bradley 800T/H range of 30.5mm mount operators are designed and constructed to perform in the most demanding industrial environments. The range includes pushbuttons, selector switches, emergency stops, pilot lights. Available in both metal and plastic types with a modular design allowing for easy selection, configuration and assembly of components to form the operator control device.

ELECTRICAL	Number of contacts as normally open contact	0.0
	Number of contacts as normally closed contact	0.0
	Type of electric connection	Screw connection
CONSTRUCTION	Colour button	Blue
	Type of button	Flush
	With front ring	Yes
	Material front ring	Metal
	Degree of protection (IP)	IP65/IP66
MECHANICAL	Switching function latching	No
	Shock acceleration (Max)	100.0 g
	Vibration acceleration (Max)	10.0 m/s ²
	Vibration frequency, operational (Max)	2000.0 Hz
PHOTOMETRIC	Suitable for illumination	No
DIMENSIONS	Hole diameter	30.5 mm
	Operator diameter	34.9 mm

800TA7

Allen-Bradley 800T Pushbutton 30.5mm Flush Head Momentary
Non Illuminated No Contacts Blue

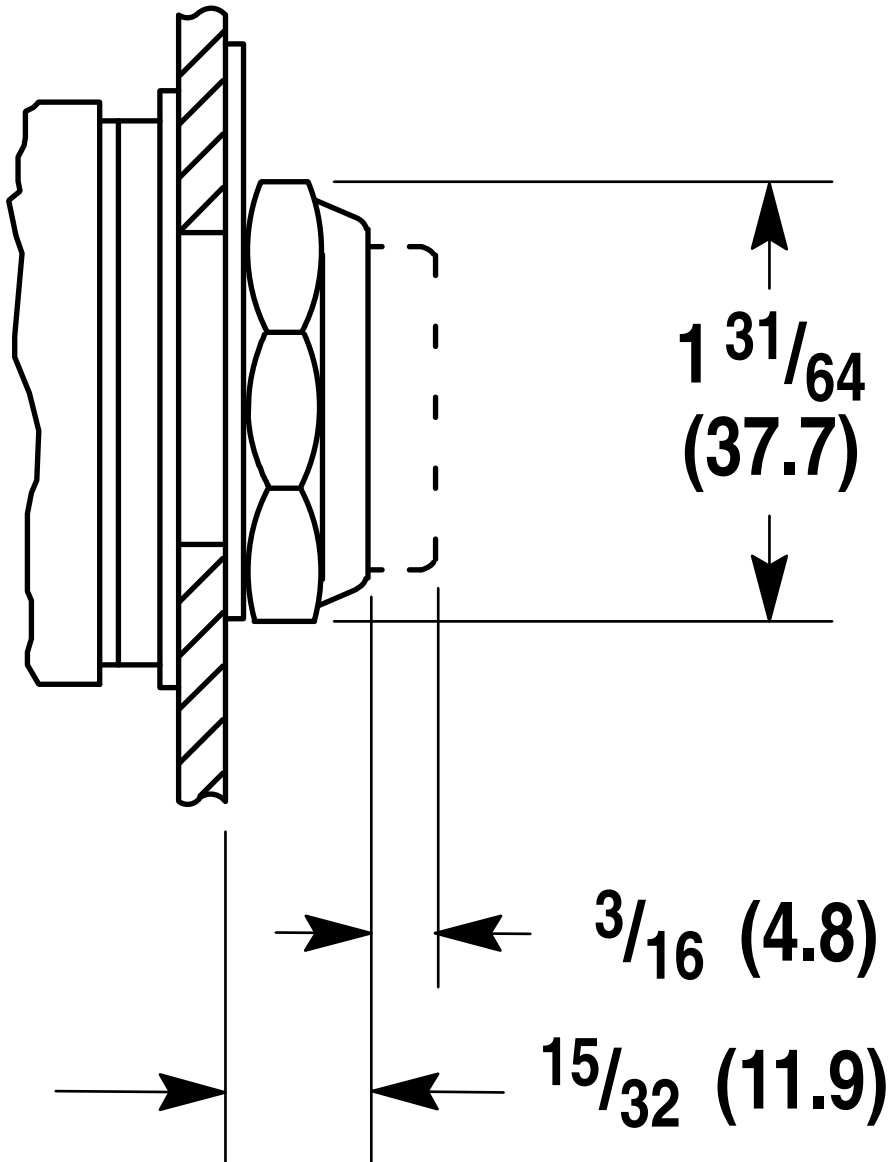


Allen-Bradley

by ROCKWELL AUTOMATION

PUSHBUTTON AND PILOT LIGHTS

DIMENSIONAL DIAGRAM



Extended
Head Only

Flush and Extended Head Push Button

Shipping Wt. 5-1/2 oz (0.15 kg)