

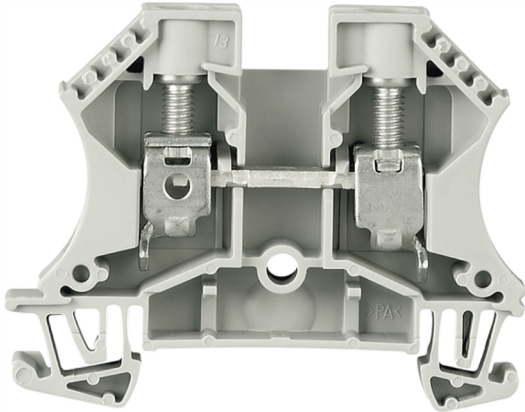
Catalogue No: 1492-J10

SCREW TERMINAL 10mm 1 CONDUCTOR 57A GREY

Termination and Wiring Systems > Terminals and Pre-Wired Cables > Terminals - Screw > Allen-Bradley Terminal Blocks > Through Terminals > 10 mm²



Feed Through Terminal 10mm Grey



- Copper current bar and tin-plated surface
- Counter-sinking of clamping screws
- Multiple center jumper options—screw-type or three channels for plug-in type
- Four-sided wire funnel guides for easy wire insertion
- Finger-safe housings to prevent accidental contact with live circuits
- Compatible with high visibility snap-in marker cards
- CE marked and UL recognised
- DIN Rail mountable, allowing terminal blocks to be placed on the same channel as contactors, starters, relays, and other control devices
- Self-extinguishing, polyamide 6.6 housing material with UL 94-V0 flammability rating

Representative Photo Only
(actual product may vary based on configuration selections)

SPECIFICATIONS

Product Series	zz1492
Component Type Termination Wiring	Terminal
Number of Conductors	2 qty
Package Quantity	50 qty
Colour, Body / Housing	Grey colour
Wire / Conductor Size (Max)	10 mm ²
Wire Strip Length	12 mm
Tightening Torque, Nominal	2.3 Nm
In, Rated Current	57 A
Un, Nominal Voltage	1000 V
Height	60 mm
Width	10 mm
Depth	39.5 mm
Insulation Temperature (Min)	-50 °C
Insulation Temperature (Max)	120 °C

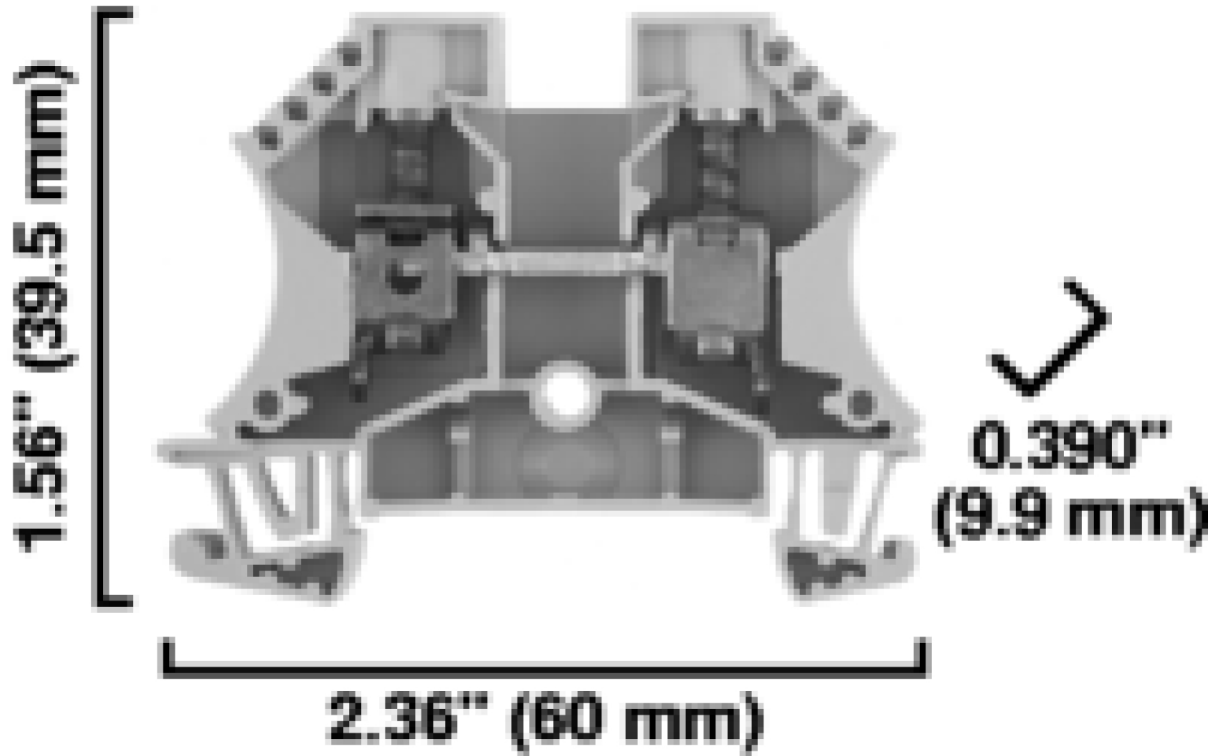
REFERENCES

IECEX Certificate	-
Supplier Declaration of Conformity:	-
Installation Guide:	-
User Manual:	-
Manufacturer Datasheet:	-
Manufacturer Catalogue & Product Selection:	-

Catalogue No: **1492-J10**

SCREW TERMINAL 10mm 1 CONDUCTOR 57A GREY

Termination and Wiring Systems > Terminals and Pre-Wired Cables > Terminals - Screw > Allen-Bradley Terminal Blocks > Through Terminals > 10 mm²



Dimension Diagram