

Catalogue No: **563490240040**

## MINIATURE POWER RELAY 12A 4CO 24VDC COIL W/PB+MI

Timers and Control Relays > General Purpose Relays > Electromechanical Relays > Finder Electromechanical Relays > General Purpose Industrial & Power Relays > 56 Series Mini Square Base Relays



Representative Photo Only  
(actual product may vary based on configuration selections)

### MINIATURE POWER RELAY 12A 4CO 24VDC COIL W/PB+MI

- Complete range from PCB to power relays to cover all of your switching requirements
- Certifications and approvals including CE, EAC, PCT, RINA, VDE and RoHS, providing quality assurance of a market leading product.
- Compact construction allowing for most efficient use of space

#### SPECIFICATIONS

Product Series	56
Component Type Timers and Control relays	Relay
Contact Configuration	4 CO
In, Rated Current	12 A
Icw, Short Time Withstand Current, 10ms (rms)	20 A, 10ms
Un, Nominal Operational Voltage, AC	250 V AC
Ue, Rated Operational Voltage, AC, max	400 V AC
Contact Breaking Capacity, DC1, 30V	12 A
Contact Breaking Capacity, DC1, 110V	0.5 A
Contact Breaking Capacity, DC1, 220V	0.25 A
Rated Load, AC-1	3000 VA
Rated Load, AC-15	700 VA
Contact Rated Power, Single Phase Motor, 230V AC	0.55 kW
Coil Type	DC
Additional Features	Lockable test button Mechanical Indicator None
Coil Voltage, DC, Nom	24 V DC
Coil Voltage, DC, Min	19.2 V DC
Coil Voltage, DC, Max	26.4 V DC
Material, Contacts	Silver Nickel (AgNi) material
Mechanical Service Life	50000000 cycles
Electrical Service Life at Un, In	100000 cycles
Total Making Time	10 ms
Total Breaking Time	4 ms
Insulation Voltage, between Coil & Contacts	5000 V
Dielectric Strength, between open Contacts	1000 V AC
Mounting	Plug-in
Operating Temperature, Min	-40 °C min

Catalogue No: **563490240040**

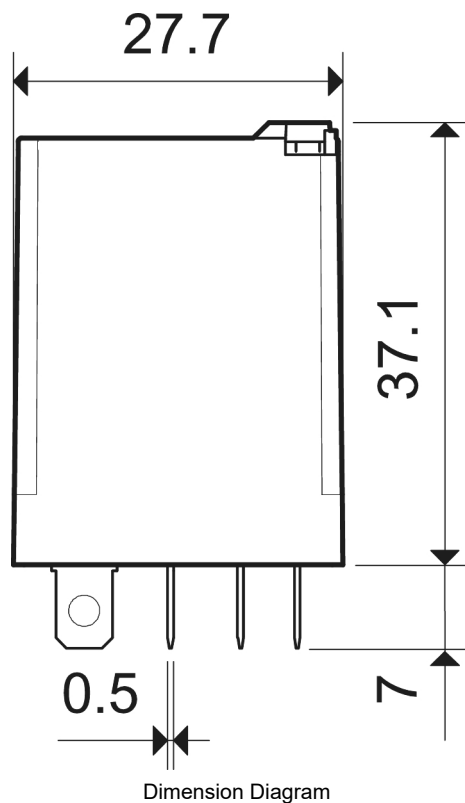
**MINIATURE POWER RELAY 12A 4CO 24VDC COIL W/PB+MI**

Timers and Control Relays > General Purpose Relays > Electromechanical Relays > Finder Electromechanical Relays > General Purpose Industrial & Power Relays > 56 Series Mini Square Base Relays



Operating Temperature, Max	70 °C max
Height	37.1 mm
Width	27.7 mm
Depth	40.8 mm
Shock Acceleration (Max.)	20 g
Shock Duration (Max.)	4 ms
Vibration Acceleration (Max.)	17 m/s <sup>2</sup>
Vibration Frequency, Operational (Max.)	150 Hz
Certifications	CE CSA EAC GOST-R IMQ C-UR-US VDE
Shipping Approvals	Lloyd's Register of Shipping RINA (Registro Italiano Navale)

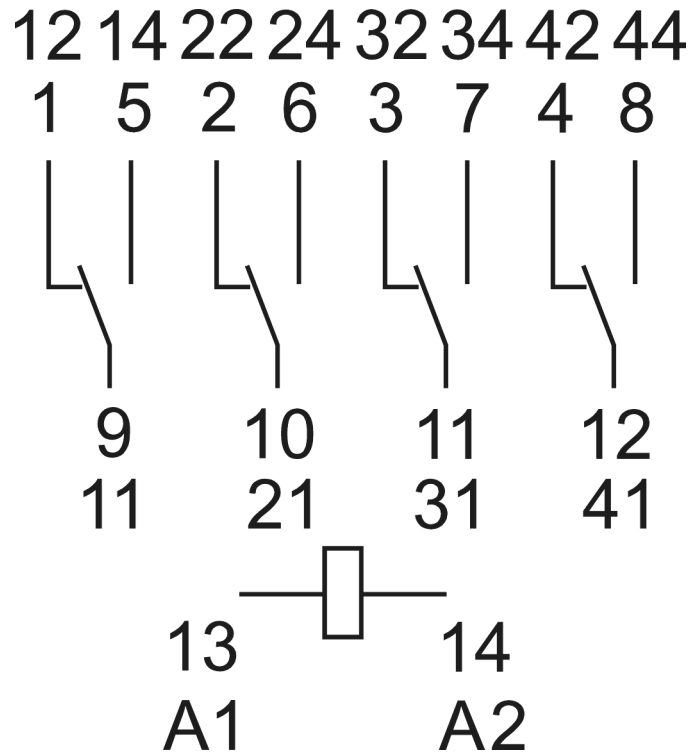
REFERENCES	
IECEX Certificate	-
Supplier Declaration of Conformity:	-
Installation Guide:	-
User Manual:	-
Manufacturer Datasheet:	-
Manufacturer Catalogue & Product Selection:	-



Catalogue No: **563490240040**

**MINIATURE POWER RELAY 12A 4CO 24VDC COIL W/PB+MI**

Timers and Control Relays > General Purpose Relays > Electromechanical Relays > Finder Electromechanical Relays > General Purpose Industrial & Power Relays > 56 Series Mini Square Base Relays



Connection / Wiring Diagram