

Catalogue No: **ELBPM323P**
ENCLOSED SLBM POLY 3P 32A GREY

Power Distribution and Protection > Isolators and Transfer Switches > Enclosed Isolating Switches > Socomec Enclosed Isolating Switches > ELB-PM Polycarbonate Enclosed Load Break Switches



SW ENC GRY SIRCOM 32A 22153303 WITH RED/YELLOW HANDLE

- IP65 rating combined with selection of polycarbonate, mild steel and stainless steel, has any environment, indoor or outdoor, covered
- Spacious design allowing for quick and easy connection as well as the option to fit additional accessories within the enclosed assembly
- Knockouts provided with ELB-PM series (up to 63A) and gland plates for the ELB-S series as standard making it easier to connect to the internal isolator and reducing installation time
- The same high quality Socomec load break switches including the SLBM, SLB and 32BR switches used across the enclosed range
- Enclosed assemblies feature the ergonomic IP65 S-Type handles from Socomec which includes interlocking (in the ON position), pad locking, UV and chemical agent resistive material and the choice of standard blue or red/yellow colour

Representative Photo Only
 (actual product may vary based on configuration selections)

SPECIFICATIONS

Product Series	ELB-PM
Component Type Power Distribution & Protection	Enclosed Isolating Switch
Number of Poles	3
In, Rated Current	32 A
Ie, Rated Operational Current, AC-22a, 400V	32 A@400V
Ie, Rated Operational Current, AC-23a, 400V	32 A@400V
kW Rating, AC-23a, 400V, 3ph	15 kW @400V
IP Rating	IP65
Material, Body / Housing	PC (Polycarbonate) material
Colour, Body / Housing	Grey colour
Colour, Handle	Blue colour
Height	162 mm
Width	99 mm
Depth	92 mm
Standards Compliance	IEC 60947-3 EN 60947-3 UL 508 EN 61439 IEC 60364
Certifications	UL

Catalogue No: **ELBPM323P**

ENCLOSED SLBM POLY 3P 32A GREY

Power Distribution and Protection > Isolators and Transfer Switches > Enclosed Isolating Switches > Socomec Enclosed Isolating Switches > ELB-PM Polycarbonate Enclosed Load Break Switches



REFERENCES

IECEX Certificate -

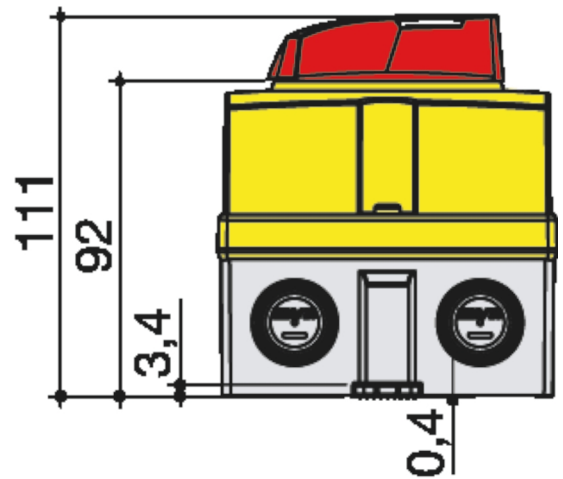
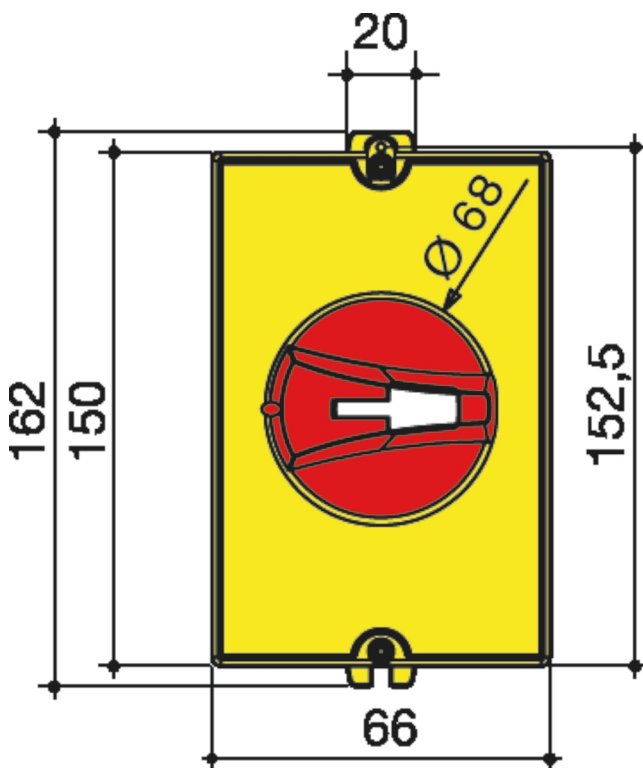
Supplier Declaration of Conformity: -

Installation Guide: -

User Manual: -

Manufacturer Datasheet: [ELBPM323P_Manufacturer Datasheet](#)

Manufacturer Catalogue & Product Selection: -



Dimension Diagram